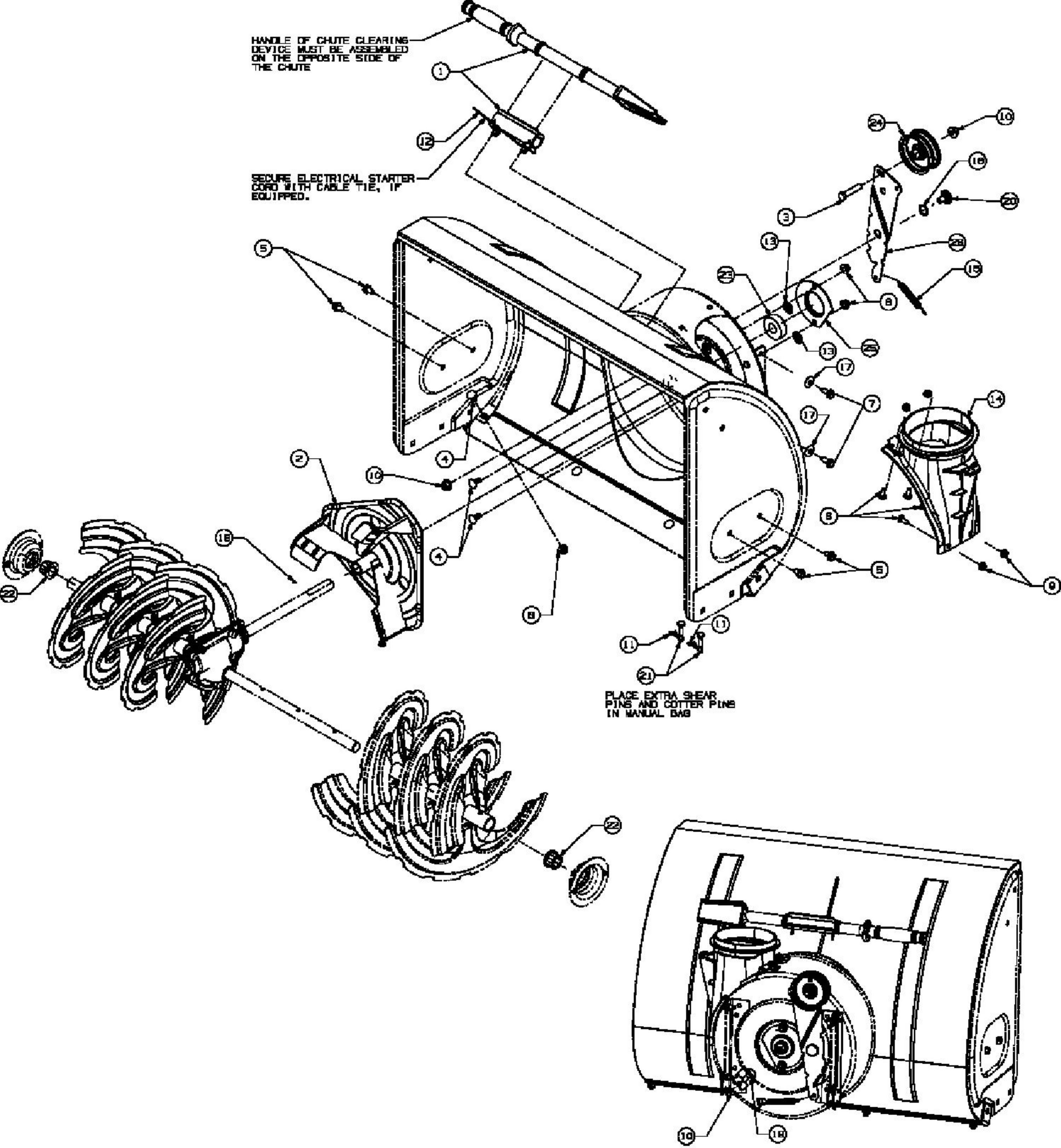


HANDLE OF CHUTE CLEARING
DEVICE MUST BE ASSEMBLED
ON THE OPPOSITE SIDE OF
THE CHUTE

SECURE ELECTRICAL STARTER
CORD WITH CABLE TIE, IF
EQUIPPED.



PLACE EXTRA SHEAR
PINS AND COTTER PINS
IN MANUAL BAG

E4-01369B-01