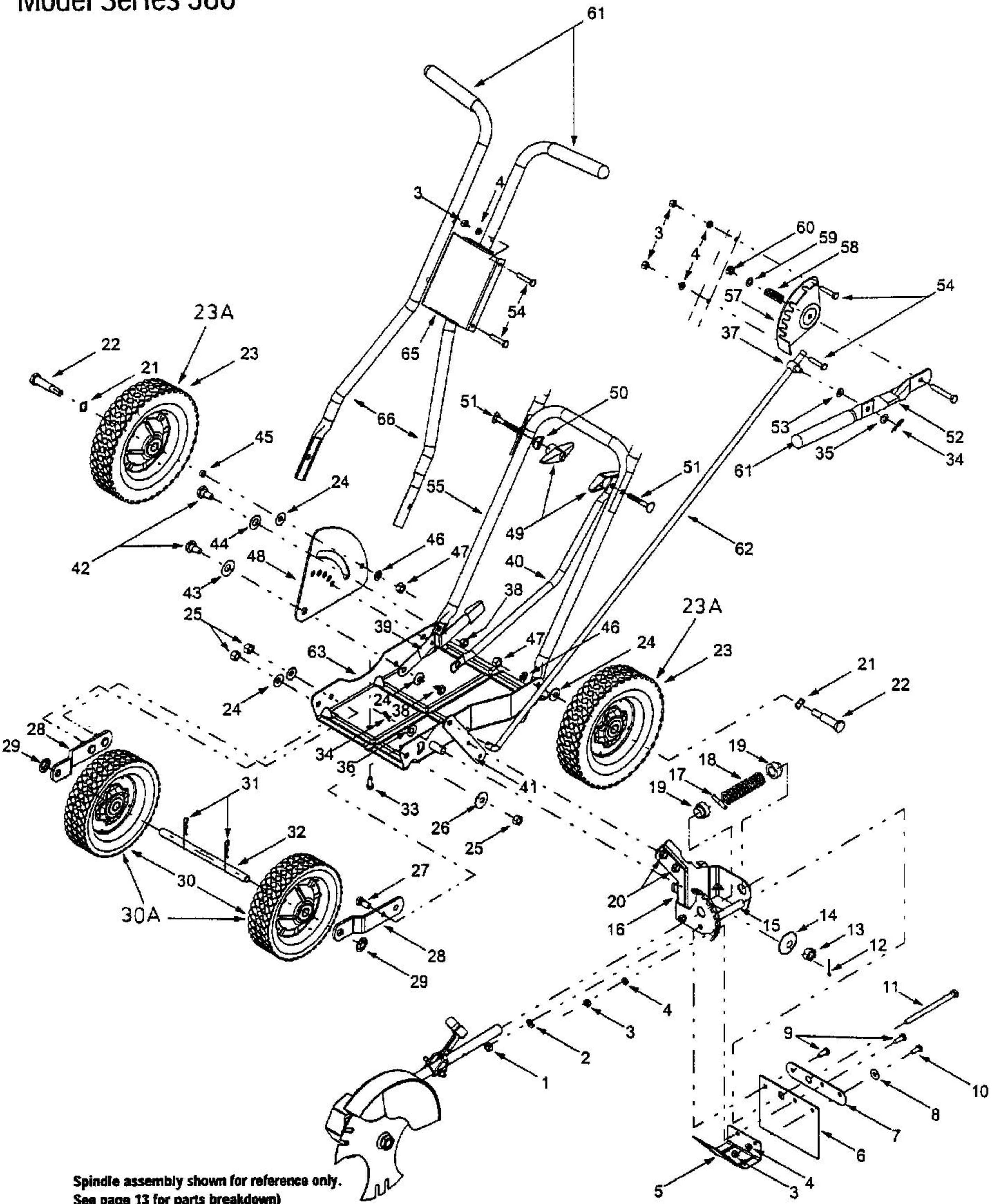


Model Series 580



Spindle assembly shown for reference only.
See page 13 for parts breakdown)