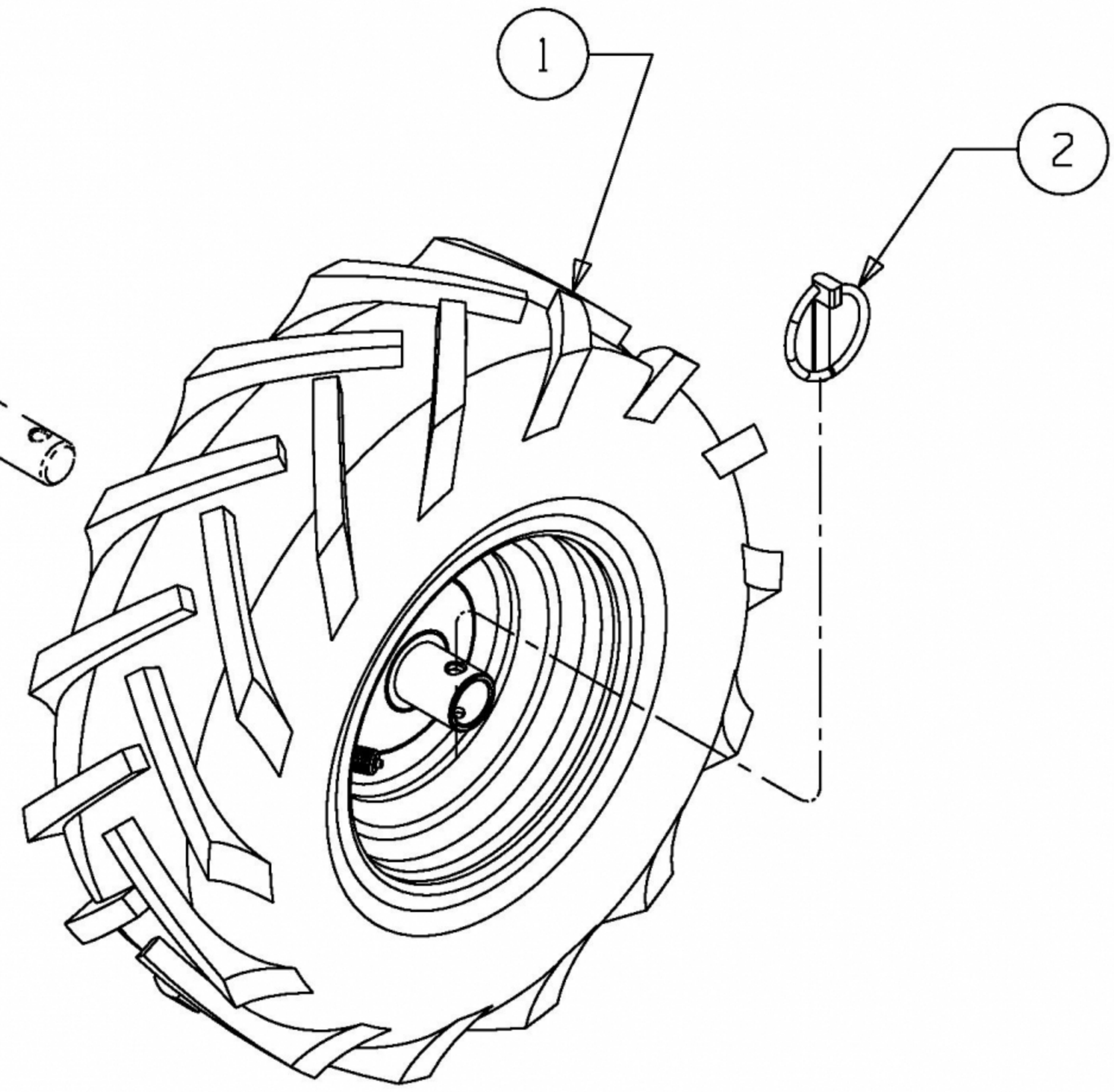


FRONT OF TILLER

WHEEL SHAFT
SHOWN FOR REFERENCE ONLY



E3-09212A-01