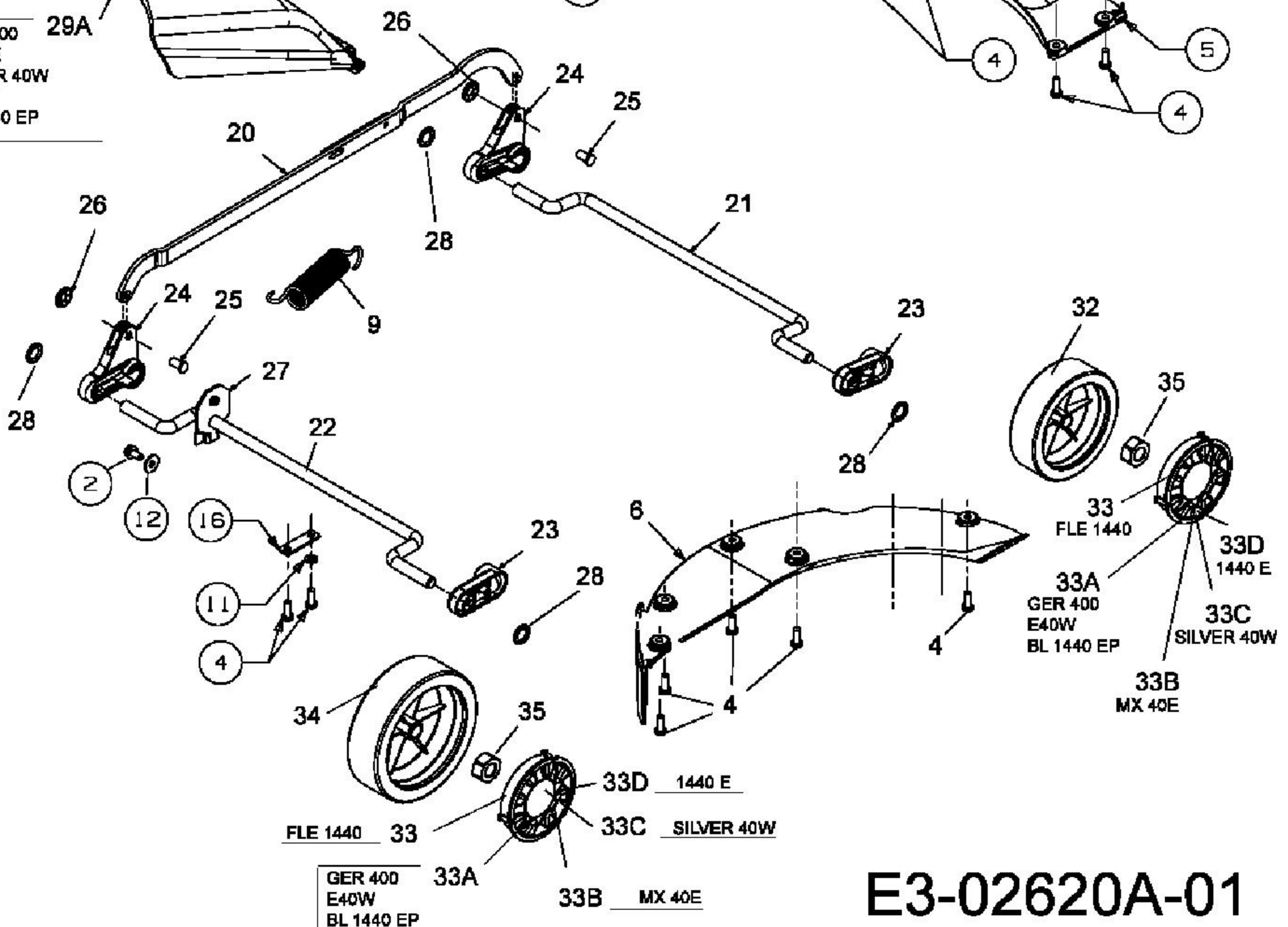
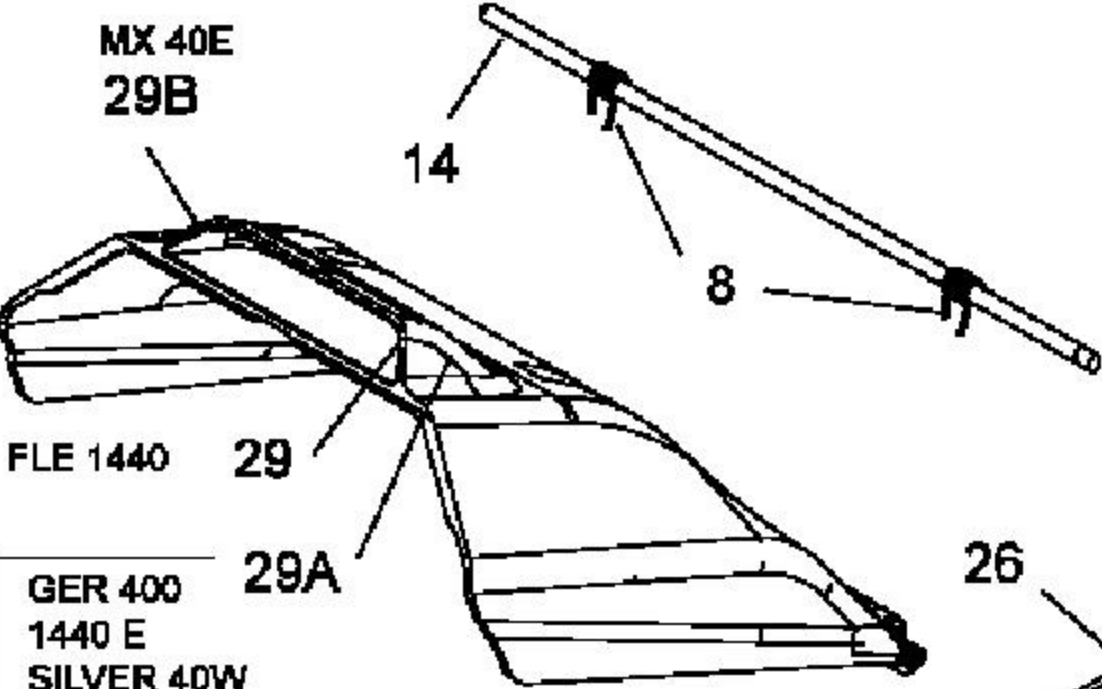
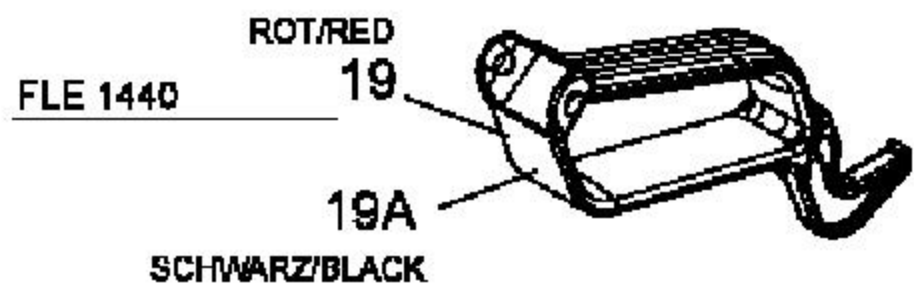
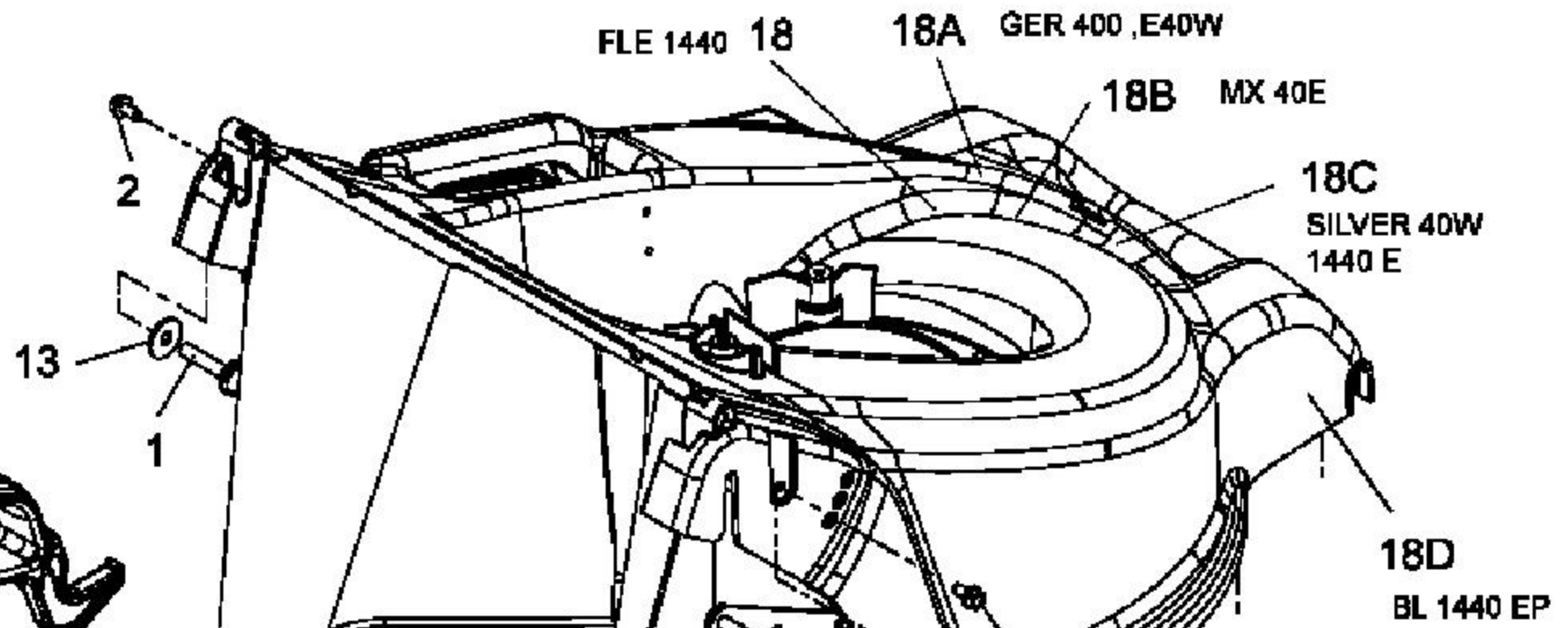
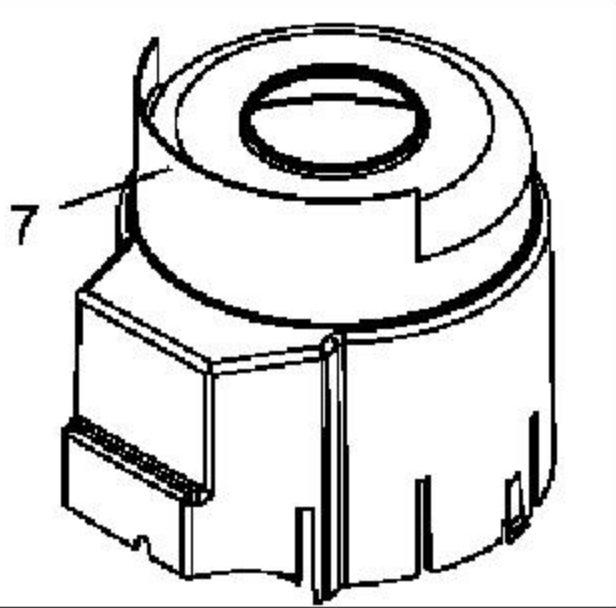
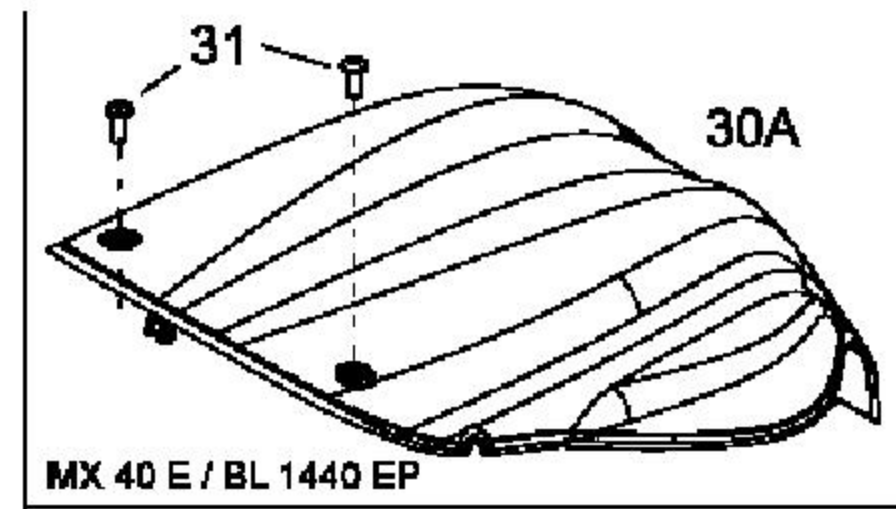
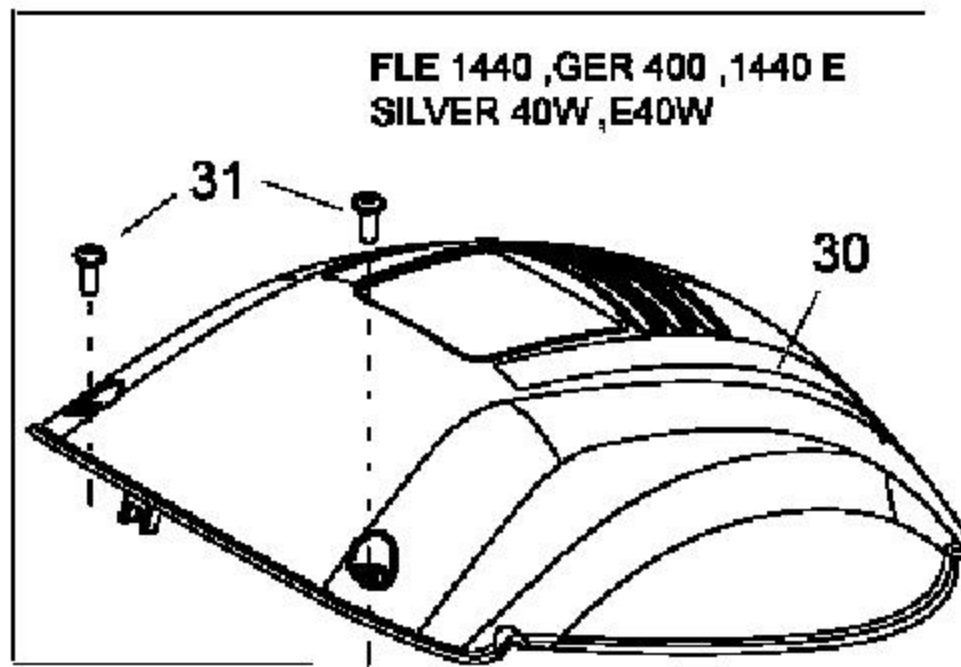


| | |
|-------------|-------------|
| FLE 1440 | 18B-N4S-619 |
| GER 400 | 18B-N4S-666 |
| MX 40 E | 18B-N4S-667 |
| 1440 E | 18B-N4S-668 |
| SILVER 40 W | 18B-N4S-677 |
| E 40 W | 18B-N4S-678 |
| BL 1440 EP | 18B-N4S-684 |



E3-02620A-01