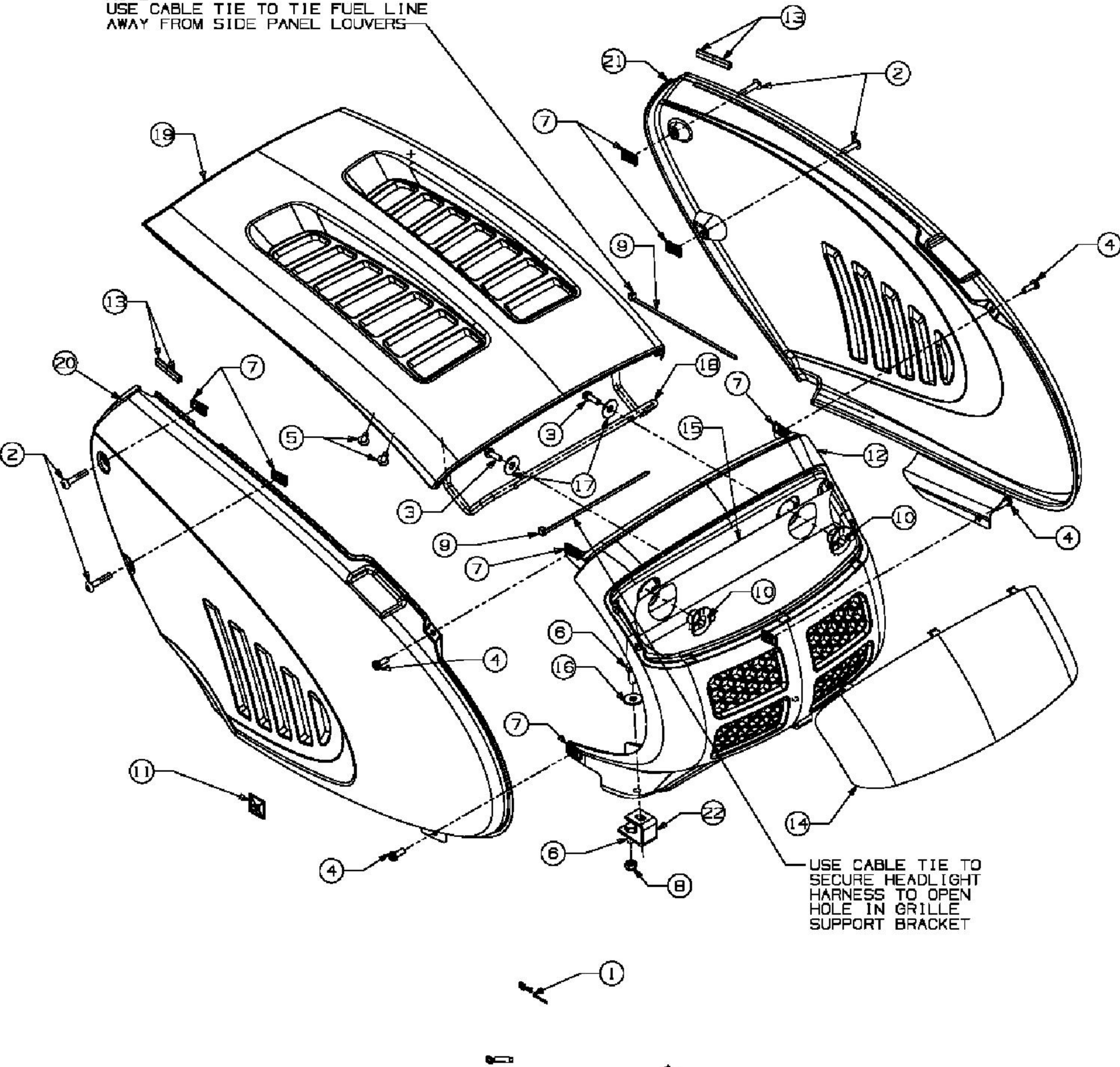


NOTE:  
USE CABLE TIE TO TIE FUEL LINE  
AWAY FROM SIDE PANEL LOUVERS



USE CABLE TIE TO  
SECURE HEADLIGHT  
HARNESS TO OPEN  
HOLE IN GRILLE  
SUPPORT BRACKET